

**Safety Precautions**

- Read all safety precautions and installation instructions carefully before installing or servicing this fixture. Failure to comply with these instructions could result in potentially fatal electric shock and/or property damage.
- It is recommended that a qualified electrician perform all the wiring. This fixture must be wired in accordance with all national and local electrical codes.
- Do not handle any energized fixture or attempt to energize any fixture with wet hands or while standing on a wet or damp surface or in water.
- This fixture is designed for use in a 277VAC / 60Hz fused circuit. This fixture is compatible with 0-10V dimmers.
- Make sure that the power source conforms to the requirements of the fixture. (See labels on the fixture housing).
- To reduce the risk of electrical shock, and to assure proper operation, this fixture must be adequately grounded. To accomplish proper grounding, there must be a separate ground wire (green) contact between this fixture and the ground connection of your main power supply panel.
- This fixture is intended to be used for general indoor lighting in dry, damp locations or outdoor lighting in wet location. For wet application, it must be mounted at least 48 inches above the ground level (not suitable for submersion). For outdoor use, it must be under covered ceiling mount only.
- Disclaimer  
 Changes or modifications not expressly approved by the party responsible for compliance could void the user's authority to operate the equipment. NOTE: This equipment has been tested and found to comply with the limits for a Class B digital device, pursuant to Part 15 of the FCC Rules and Canadian ICES-005 (B) / NMB-005 (B). These limits are designed to provide reasonable protection against harmful interference in a residential installation. This equipment generates, uses and can radiate radio frequency energy and, if not installed and used in accordance with the instructions, may cause harmful interference to radio communications. However, there is no guarantee that interference will not occur in a particular installation. If this equipment does cause harmful interference to radio or television reception, which can be determined by turning the equipment off and on, the user is encouraged to try to correct the interference by one or more of the following measures:
  - Reorient or relocate the receiver antenna.
  - Increase the separation between the equipment and receiver.
  - Connect the equipment into an outlet on a circuit different from that to which the receiver is connected.
  - Consult with the dealer or an experienced radio/TV technician for help.

Any modifications to this fixture may void the warranty and interfere with the safe operation of the luminaire. Operation is subject to the following two conditions: (1) this device may not cause interference, and (2) this device must accept any interference, including interference that may cause undesired operation of the device.

**Assembly Instructions**

**Step 1 – Preparing for installation**

- Disconnect electrical power** before installing or servicing any part of this fixture
- Remove fixture from the carton.
- Remove components from the hardware kit.
- Remove the gem bar (1) from the back of the fixture (3) by removing both plastic caps (5) and screws (4) from both sides then pull it straight out.
- Install the gem bar (1) with smooth side toward the junction box (not included) then using two #8-32 screws (2) through the corresponding slots to secure it.
- Make sure the wires coming out of the junction box are on only one side of the gem bar.

**Wiring – All wiring must take place inside junction box (not included).**

**Caution:** Make sure power is off at fuse or circuit breaker box. Check power wires for damage or scrapes. If the power supply wires are within three inches of the fixture, use a wire suitable for at least 90°C (194°F). **Note:** Most dwellings built before 1985 have supply wire rated to 60°C. Consult a qualified electrician to ensure correct branch circuit conductor before installing.

**Step 2 – Wiring Fixture**

- Make all wire connections to appropriate wire. Secure with wire nuts (provided).
- Connect the green wire from the fixture to the supply power source ground wire.
- For non-dimming.** Connect the white wire from the fixture to the white (N) wire from the supply power source. Connect the black wire from the fixture to the black (L) wire from the supply power source. Pink and purple wires are not to be used and must be individually capped to prevent shorting.
- For 1-10V dimming.** Connect the pink wire from the fixture to the dimmer source gray or pink wire. Connect the purple wire from the fixture to the dimmer source purple wire. Connect the white wire from the fixture to the neutral (N) wire from the dimming supply power source per dimmer wiring instructions. Connect the black wire from the fixture to the control line (L) wire from the dimmer supply power source per dimmer wiring instructions.
- Do not mix wires.** Pull on each wire lead to make sure connections are secure. Make certain no bare wires are exposed outside of wire connectors. Tuck all connections neatly into the junction box.

**Step 3 – Color Changing Temperature Adjustment, CCT (if desired)**

- CCT switch is located on the backside of fixture. Adjust switch to desired temperature of 2700K, 3000K, 3500K, 4000K, or 5000K as seen below. **Note:** Fixture is preset to 3000K from factory.

**Step 4 – Fixture mounting**

- Make sure the wires coming out of the fixture are on the same side of the clip as the side of the gem bar the wires from the junction box are coming from.
- Line up the side holes on the fixture (3) with the gem bar (1) then tighten screws (4) to secure it. Install plastic caps (5) flush with the side to hide screws.
- For wet application,** apply a small bead of silicone (not included) per manufacturer's instruction around the perimeter of the fixture (3) where it contacts with the surface of the wall.

**Step 5 – Power to the fixture can now be restored**

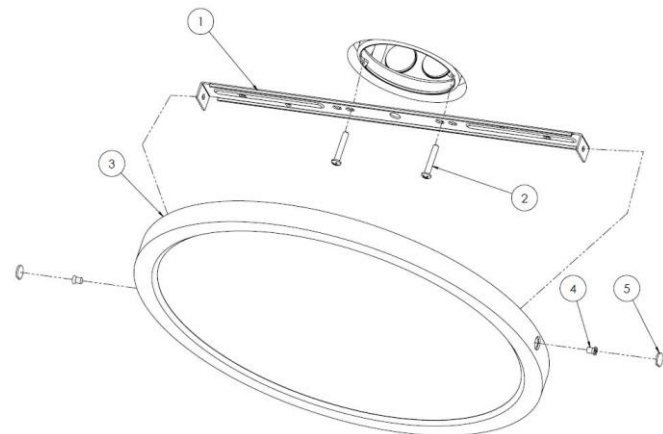


Figure 1

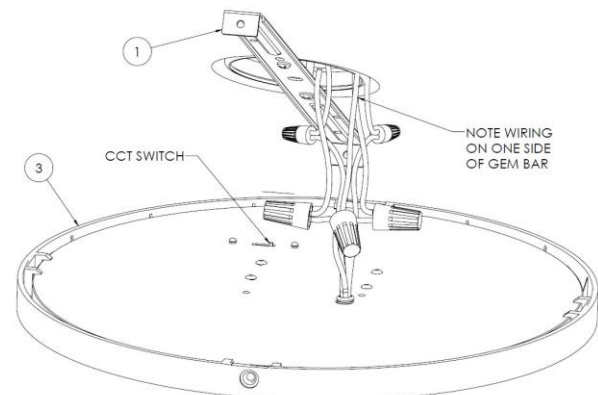


Figure 2

- 2700K
- 3000K
- 3500K
- 4000K
- 5000K

View shown for reference only. Individual models may vary.

**Limited Factory Warranty**

AFX Inc. hereby warrants that this fixture is free from defects in materials and workmanship when installed and used under normal operating conditions for a period of 5 years from date of shipment from factory. This warranty covers all component parts and extends only to replacement of defective fixture or components; it does not cover failure due to improper installation, misuse, mishandling or damage incurred in transit.